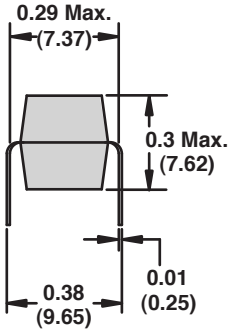
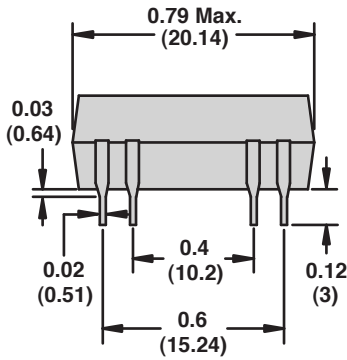
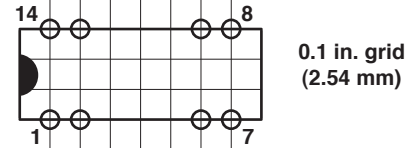


Dimensions: Inches (Millimeters)



Circuit board pin spacing  
viewed from component side



Wiring Diagrams

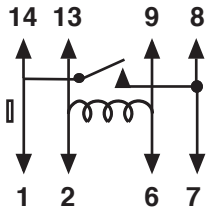


Figure E  
SPST-NO Without diode

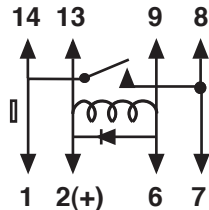


Figure F  
SPST-NO With diode